

TECHNICAL DATASHEET - LPX40-2

topflo®



EHEDG compliant

Product images are for illustrative purposes only and may differ from the actual product.
Certificates may vary depending on the material execution of a particular product.

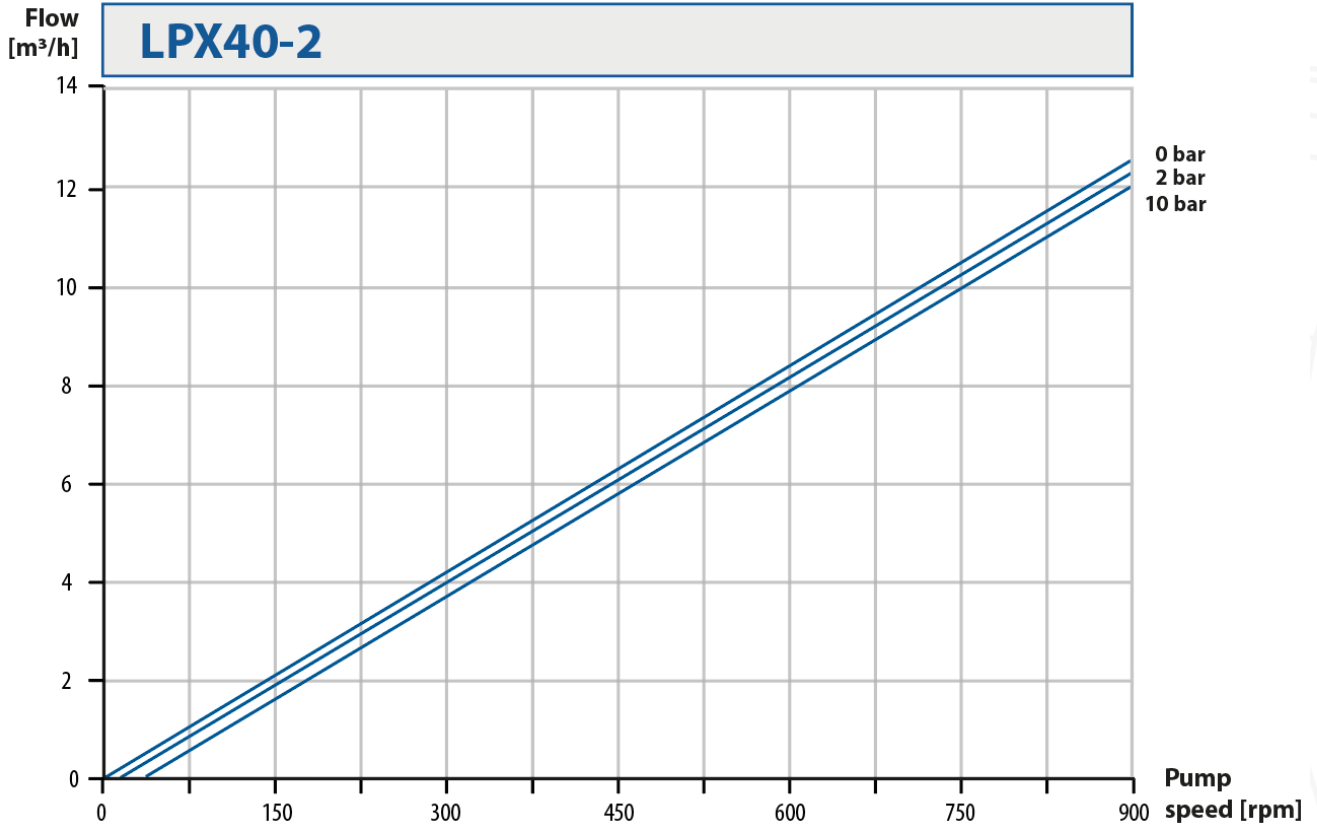
Materials, data and limits

Technical DATA	LPX40-2
Casing Material	Stainless Steel EN 10088-3/1.4404
Rotor Material	Stainless Steel EN 10088-3/1.4404
Shaft Material	Stainless Steel EN 10088-3/1.4404
Front Cover	Stainless Steel EN 10088-3/1.4404
Displacement [l/rev]	0.23
Connection size	40 (1.57")
Differential pressure rating [bar/]	10
Maximum pumps speed [rpm]	900
Input shaft diameter [mm/]	19
Maximum torque [N-M]	108
Fittings Type	DIN 11851 Thread (Default)
Rotors Type	Trilobe In Stainless Steel
Shaft Seal	single mechanical seal SiC/SiC FDA (Default) options: double mechanical seal SiC/SiC FDA
O-ring Material	FKM FDA (Default) options: EPDM FDA
Shaft Position	horizontal: Shaft Top
Front Cover	standard or with a heating jacket
Paint	RAL 9010 - white
Documentation	
Seal Certification	FDA approved
Design	3A certified & conform EC 1935/2004

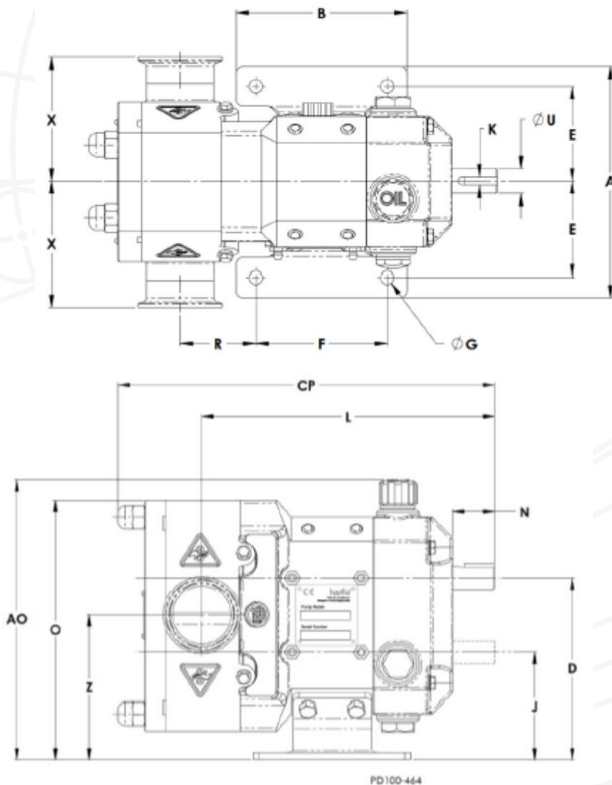


General performance curve

The performance curves are based on 500cP liquid.



Overall pump dimensions



Dim	[mm]
A	175.5
AO	230.5
B	130.0
CP	299.1
D	149.6
E	72.8
F	100.0
G	10
J	87.6
K	6x6
L	235.9
N	34.7
O	231.6
R	51.8
U	19
X	98.0
Z	118.6

